

AT-2056CR

INSTRUCTIONS & WARNINGS

Features:

- State of the art Piezo Electric Ignition system eliminates the need for matches and lighters.
- Wind-Proof flame and water proof ignition make the Turbo-Lite ideal for camping and outdoors.
- Compact size fits easily into any first aid/survival kit.
- Easy and inexpensive to refill by using normal butane gas.

PLEASE READ ALL INSTRUCTIONS AND WARNINGS BEFORE MAKING USE OF THE TURBO-LITE.

HOW TO USE TURBO-LITE:

- To ignite the Turbo-Lite: **AT THE SAME TIME**, press tip of thumb against Cover Lock "A" while pushing down on Ignition Button "B". You must do both actions at the same time or Turbo-Lite will not ignite.
- To refill, turn the unit upside down and firmly push the butane can into the Filling Valve. The tank should be filled in seconds. Please allow a few minutes after filling for the gas to stabilize.
- If no flame appears, adjust the Flame Adjuster on the Filling Valve by hand. Turning the Filling Valve to the clockwise or counterclockwise directions for an proper length of flame. (See C)
- After use, push the Flame Nozzle Cover to lock.

⚠ WARNING:

- READ INSTRUCTIONS BEFORE USE.
- DO NOT IGNITE OR USE NEAR AN OPEN FLAME, HEATER, FURNACE, OR COMBUSTIBLE MATERIAL.
- DO NOT TOUCH THE FLAME COVER DURING USE, OR BEFORE SUFFICIENT TIME HAS PASSED FOR COOLING.
- ALWAYS BE SURE THE UNIT IS COOL BEFORE STORING.
- STORE PROPERLY WHEN NOT IN USE, SWITCH THE. KEEP IN A DRY PLACE, OUT OF THE REACH OF CHILDREN.
- DO NOT ATTEMPT TO READJUST OR REPAIR THE TURBO-LITE. UNIT IS NOT USER SERVICEABLE.
- DO NOT USE CONTINUOUSLY FOR MORE THAN FIVE (5) MINUTES.

CAUTION:

THE TORCH FLAME IS ALMOST INVISIBLE IN DAYLIGHT, OR IN STRONG LIGHT.

NOTE:

BUTANE GAS CONTENT MAY VARY IN DIFFERENT AREAS. ADJUST THE FLAME ADJUSTER WHEN USING IN DIFFERENT ALTITUDE AND ENVIRONMENT FOR DESIRED FLAME.

⚠ WARNING:

PLEASE READ ALL INSTRUCTIONS AND WARNINGS BEFORE MAKING USE OF THE TURBO-LITE.

Specifications:

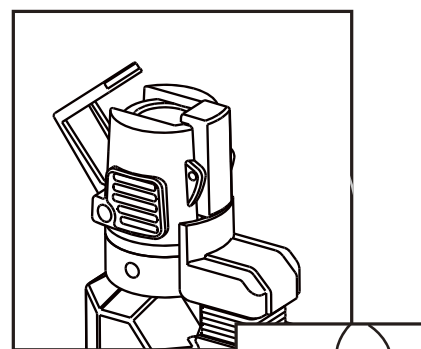
AT-2056CR TURBO-LITE	
Dimensions	H -76mm L -35mm W -24mm
Weight(w/o gas filled)	46±5g
Fuel	Butane
Running Time	Approx.30 Minutes (mid. setting)
Flame Temperature	1300°C/2400°F (Blue flame)

A MUST FOR:

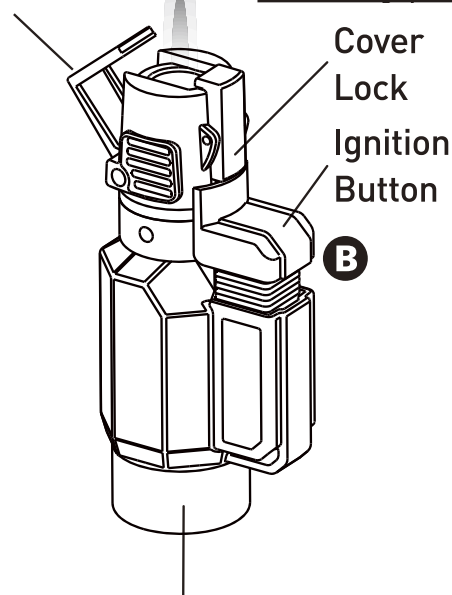
- Camping
- First Aid/Survival kit
- Household repairs
- Laboratories

IDEAL FOR:

- Hobbies
- Do-it-yourself repairs
- Odd jobs



Flame
Nozzle
Cover



1.Filling Valve
2.Flame Adjuster