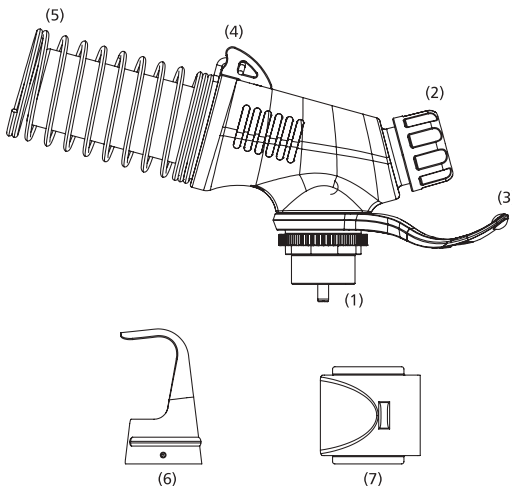


HG-400W HOTAIR GUN

WARNINGS

- This heat gun is used with a flammable product (Propane). Failure to comply with these Warnings and Instructions may result in an explosion or fire that may cause property damage, serious personal injury or death.
- Read and comply with the instructions and warnings in this manual and familiarize yourself with the Heat Gun before lighting and using.
- Review instructions and warnings periodically to maintain awareness. Do not try to operate before reading instructions.
- This tool is to be used only with hand held Propane cylinders specifically designated for use with torches and other heat tools
- Materials used in the construction of this device may contain brass (which may contain lead), a chemical known to the State of California to cause birth defects or other reproductive harm.
- Combustion by-products produced when using this device contain chemicals known to the State of California to cause cancer, birth defects, or other reproductive harm.
- Keep heat gun out of reach of children and anyone who has not read instructions. Do not point heat gun towards face, other persons or flammable objects.
- Disconnect cylinder when not in use.
- Never attempt to modify the heat gun construction and never use unapproved accessories or fuels.
- Although the internal nozzle flame cannot exceed the length of the nozzle, be extra careful when using the heat outdoors on sunny or windy days. Wind may carry the heat back towards you or other areas not intended to be heated. Windy conditions may also cause sparks to be blown into other areas with combustible materials.
- **Treat the heat gun as you would any fine tool or instrument.**
Do not drop, throw, or otherwise abuse.
- Do not use a leaking, damaged or malfunctioning heat gun
- Heating a surface may cause heat to be conducted to adjoining surfaces that may be combustible or become pressurized when heated. Always check to make sure no unintended parts or materials are being heated.
- Work only in well-ventilated areas. Avoid the fumes from fluxes, lead based paint, and all metal heating operations. Be especially careful to avoid fumes from cadmium plating and galvanized metal- remove these coatings in the area to be heated by filing or sanding prior to heating.
- Always wear safety glasses, protective gloves and use proper tools to handle hot work.
- Be aware that the nozzle of the heat gun can get extremely hot during use. Take precautions to protect yourself and others from accidental burns.
- Never use the heat gun on or near combustibles. Be especially careful around motor vehicles or any gasoline-fired products and beware of hidden fuel lines and tanks.
- Always make certain the heat gun is placed on a level surface when connected to the fuel cylinder to reduce the risk of accidental tip over. Be sure the heat gun is not pointed in a direction which could cause nearby objects to ignite when the heat gun is set down.
- Never leave the heat gun unattended when lit.
- Never attempt to repair or heat a gasoline tank, a chemical drum, an aerosol can, a compressed gas container that held flammable liquid or gas or any other chemical. Heating these is extremely dangerous, especially after they have been "emptied".
- When thawing pipes, be very careful not to overheat surrounding materials. Use heat shield.
- Always have a fire extinguisher and a bucket of water near the heat gun and work area.
- This heat gun consumes oxygen and must only be used in well ventilated areas. Do not use in a confined space.



APPLICATIONS

- Heat Shrink Tubing
- Heat Shrinkable Materials
- Shrink Wrap
- Setting Epoxies and Adhesives
- Bending Plastics and composite materials
- Applying Window and Decorative Films
- Heat Removal of various substances
- Automotive Dent Repair
- Window Repairs
- Thaw Frozen Pipes
- Spot Ice Melting
- Leather and Vinyl Repair
- Packaging corrections
- Prosthetic Fabrication
- Starting BBQ Charcoal

PROPANE WARNINGS

EXTREMELY FLAMMABLE. CONTENTS UNDER PRESSURE.

- Keep fuel cylinders away from heat or flame.
- It is illegal and dangerous to refill the cylinder. When empty, obtain a new cylinder from your dealer.
- Federal law prohibits transportation if refilled. Penalty up to \$500,000 fine and five years' imprisonment (49 U.S.C. 5124)
- Keep propane cylinders out of reach of children
- Avoid prolonged exposure to sunlight.
- DO NOT store near source of heat or in a room used for habitation.
- ALWAYS detach heat gun from cylinder when not in use.
- DO NOT breathe gas, fumes, vapor or spray. If inhaled, remove affected person to fresh air.
- Avoid contact with eyes or skin. In case of contact with eyes, rinse immediately with plenty of water and seek medical advice. For skin contact, flush with large amounts of water.
- When cylinder is empty, discard in a safe place. DO NOT throw cylinder in fire. DO NOT puncture or incinerate cylinder.

OPERATING INSTRUCTIONS

Connecting to US 1" Thread Propane Cylinder (CGA600 Valve)

Only connect and disconnect the heat gun to the disposable propane cylinder outdoors or in a well ventilated area.

- 1.1 Ensure that the control/ignition knob (2) is turned off (turned fully clockwise).
- 1.2 Keep the propane cylinder (8) upright when fitting it to the heat gun valve.
- 1.3 Place the valve on top of the disposable propane cylinder valve. (Fig.1)
- 1.4 Gently screw the propane cylinder into the valve. Be careful not to cross-thread the heat gun to the cylinder.

CAUTION: Screw on hand tight only. Do not over tighten or you will damage the heat gun seals (1) and propane cylinder seals.

- 1.5 Do not check for leaks with a flame. Use soapy water only, applied to the joints and connections of the heat gun and propane cylinder. Any leakage will show up as bubbles around the leakage area. If you are in doubt or if you can hear, see or smell gas, do not attempt to light the heat gun. Unscrew the disposable cylinder and contact your local dealer

OPERATING THE HEAT GUN

- 2.1 Always point the burner away from your body and any flammable or combustible objects.
- 2.2 Turn the **control/ignition knob (2)** counterclockwise approx. ¼ turn to open the valve, press and release the Ignition Knob (2) to ignite the heat gun flame. You should hear a loud "WOOSH" sound which indicates that the heat gun is ignited and hot. Depending on conditions it may take up to 3 pushes of the **control/ignition knob** to ignite.
- 2.3 Full power should be achieved with **control/ignition knob** opened approx. ½ turn but this may vary depending on the ambient temperature and contents of the propane cylinder.
- 2.4 Hand Protector: The heat gun has a built in hand protector/vertical stand (3) that allows for use it the nozzle-up position. (fig.2)
- 2.5 After use, ensure that the **control/ignition knob (2)** is fully shut (turned fully clockwise). Take the heat gun/cylinder assembly outdoors and unscrew heat gun from the disposable propane cylinder.

ACCESSORIES & ATTACHMENTS

- 3.1 Heat Sink Cage (5). This removable accessory absorbs and dissipates some of the heat from the heat gun nozzle and will become very hot when heat gun in use. The purpose is to provide additional protection for accidental contact with the user or proximate surfaces/objects.
- 3.2 Deflector Nozzle(6) is used for Heat Shrink Tubing and other similar products
- 3.3 Heat Spreader (7) can be used for applying heat activated films, shrink wraps, removing paint, caulking, and other materials
- 3.4 We do not recommend use of any attachments that are not specifically designed for this propane powered heat gun

