

# PT-200 PRO-TORCH™

## Butane Powered Child Resistant Automatic Ignition System

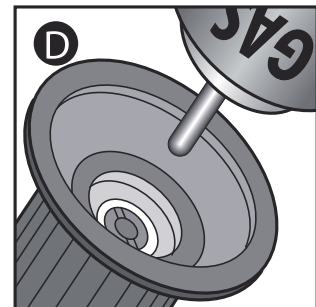
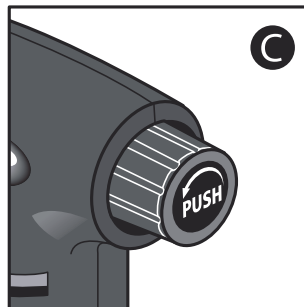
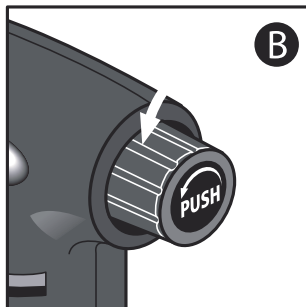
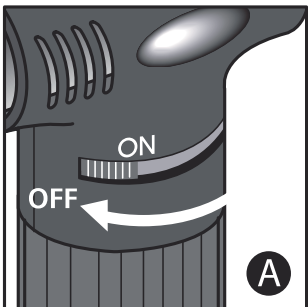
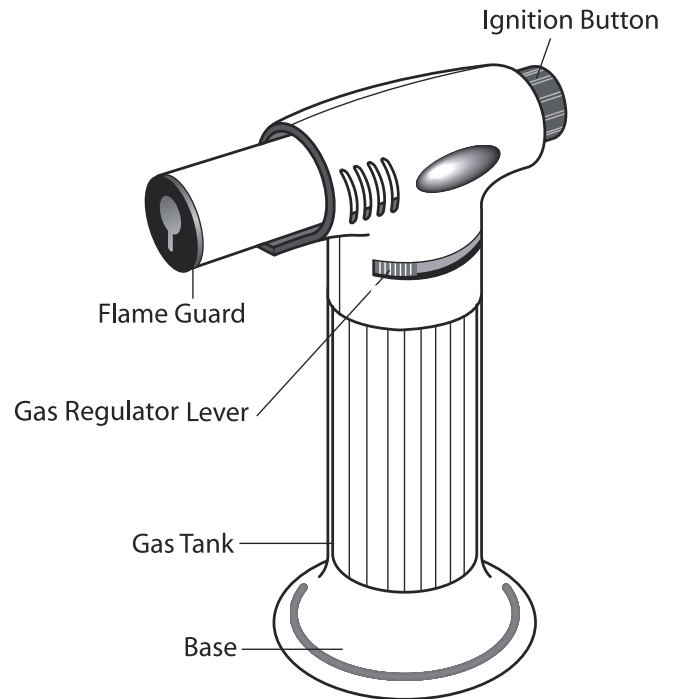
Dimensions:	H- 139mm (5.5 inch) L- 101mm (4 inch) Grip Dia- 34 mm(1.35inch) Base- 61 mm(2.4inch)
Weight (w/o fuel):	145g (empty)
Fuel:	Butane
Hours of nonstop Burning:	60 Minutes (min. setting)
Flame Temperature:	1300°C (Blue flame)

### Features:

State of the art Waterproof Piezo Electronic Ignition system. Up to 90 minutes use on each filling. Powerful Wind-Resistant flame. Compact size with ergonomic grip. Child-resistant ignition for safety. Easily refilled with any brand of butane gas. Flame adjustment for any size job.

### Instructions:

- A. Prior to initial use, fill torch with butane fuel as described below
- B. To fill gas tank, turn unit upside down and firmly push the butane can nozzle into the filling valve (fig. **D**). The tank should be filled in approximately ten seconds. Please allow a few minutes after filling for the gas to stabilize.
- C. To ignite the torch:
  1. Slide the Gas Regulator Lever to the "on" position (fig. **A**).
  2. Rotate the igniter button slightly to the left (counterclockwise) to release the childproof lock (fig. **B**) and then push in to ignite (fig. **C**).
  3. The flame can then be adjusted by sliding the Regulator Lever.
- D. To shut off the torch, simply move the Regulator Lever to the far left and until you feel or hear it click into the lock-off position.



### Warnings:

- Do not touch flame guard while in use or until sufficient time has passed for cooling.
- Do not immerse heated parts or items in water, allow to Cool naturally.
- Use only butane gas in the torch. Do not use propane gas or any other types of fluids.
- Do not store in a temperature exceeding 40°C/104°F.
- Keep away from eyes at all times.
- Keep this unit out of the reach of children.
- The flame of the torch is nearly invisible in bright light or sunlight.
- Make Sure that gas flow is turned off when not in use.